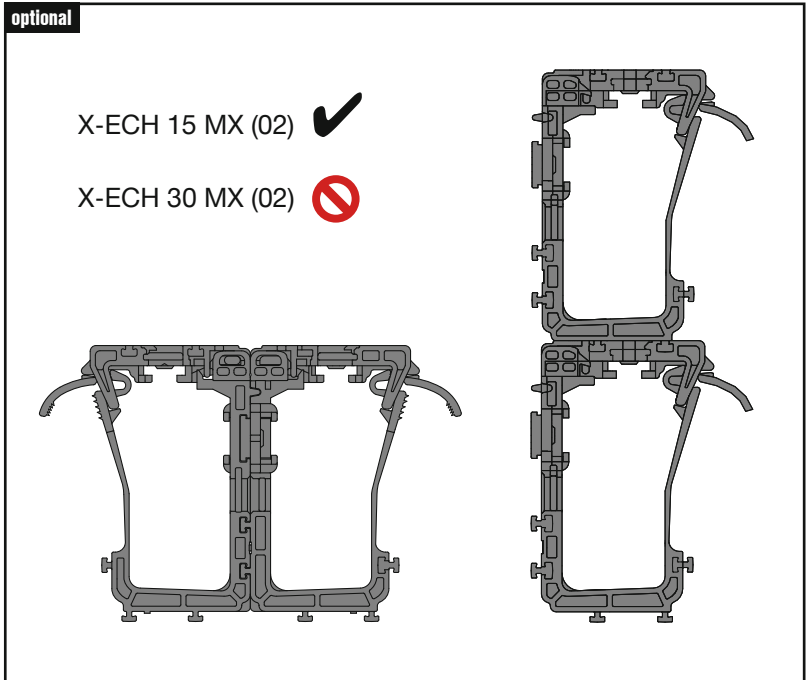
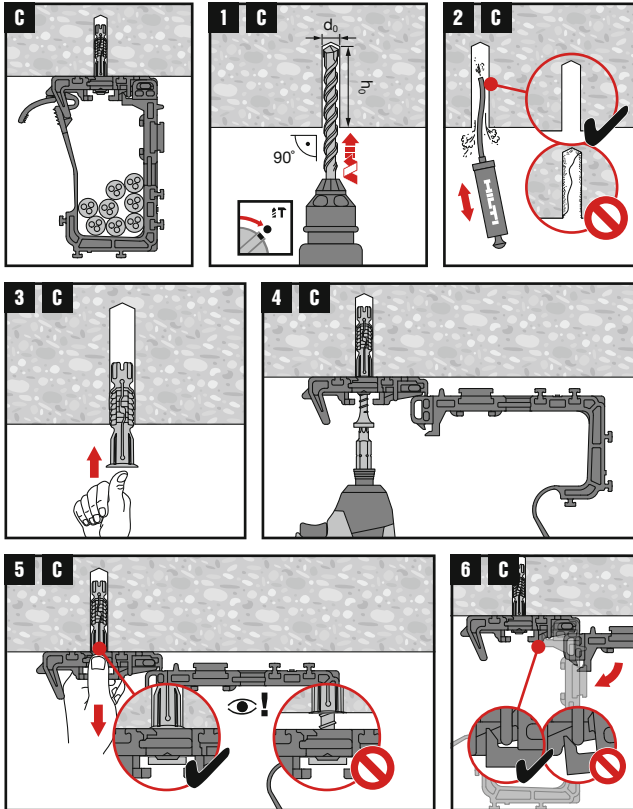




X-ECH 15 MX (02)
X-ECH 30 MX (02)



	ETA-16/0301 EAD 330083-03-0601 0672 0672-CPR-0624		For positioning only	Operating Temp. °C max.	Plenum Rating
	16 Hilti AG, LI-9494 Schaan Hilti-DX-DoP-005		Power-actuated fastener for multiple use in concrete for non-structural applications www.hilti.group	No load rating	50