

# HHDCA+ CEILING HANGER

## Product description

HHDCA+ expansion anchor is a displacement controlled anchor which provides more reliable performance for the hanging of dropped ceilings, lights, and other devices from a concrete ceiling.

The anchor is available in 1/4" diameter carbon steel with electroplated coating. Typical base materials are normal weight concrete and lightweight concrete.

## Product features

- Easier to install
- Eye hole for wire attachment
- Shallow embedment
- Immediate load application
- No torquing required

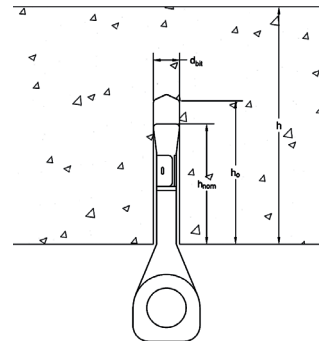
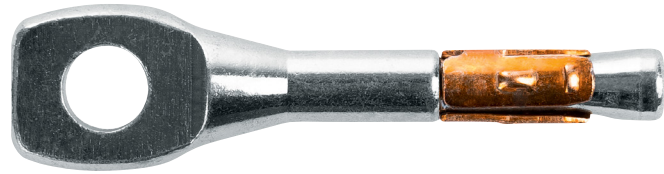


Figure 1 – Hilti HHDCA+ Specifications

Table 1 - Hilti HHDCA+ Setting Information

Setting Information	Symbol	Units	Nominal Anchor Diameter (in.)
Nominal drill bit diameter	$d_{bit}$	in. (mm)	1/4
Nominal embedment	$h_{nom}$	in. (mm)	1-1/8
Hole depth	$h_o$	in. (mm)	1-1/4
Minimum concrete thickness	$h_{min}$	in. (mm)	2-1/2
Minimum edge distance	$c_{min}$	in. (mm)	4-1/2
Minimum anchor spacing	$s_{min}$	in. (mm)	4

Table 2 - HHDCA+ Ceiling hanger allowable loads<sup>1</sup>

Nominal Anchor Diameter	Minimum Embedment	Normal Weight Concrete 3000 psi minimum		Lightweight Concrete 3000 psi minimum	
		Tension	Shear	Tension	Shear
in.	in. (mm)	lb (kN)	lb (kN)	lb (kN)	lb (kN)
1/4	1-1/8 (29)	410 (1.8)	425 (1.9)	260 (1.2)	295 (1.3)

<sup>1</sup> Allowable loads based on safety factor of 4.

## Installation Instructions For Use (IFU)

Installation Instructions For Use (IFU) are included with each product package. They can also be viewed or downloaded online at [www.hilti.com](http://www.hilti.com) or [www.hilti.ca](http://www.hilti.ca). Because of the possibility of changes, always verify that IFU are current when used. Proper installation is critical to achieve full performance. Training is available on request. Contact Hilti Technical Services for applications and conditions not addressed in the IFU.